

SIGHT GLASS

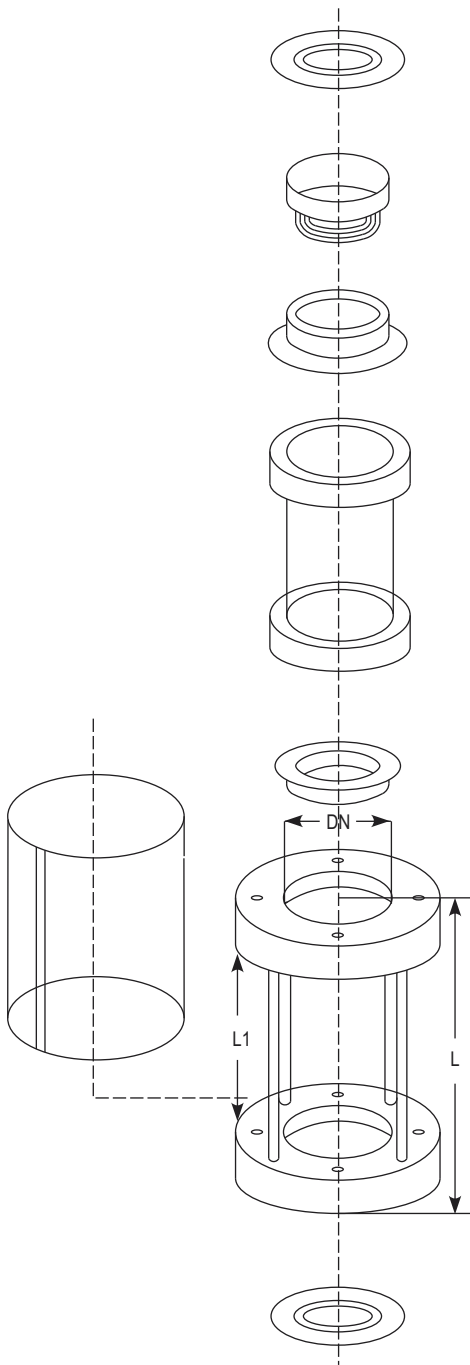


Sight glass is a device used between any kind of non transparent pipelines to observe the flow of liquid. This can be used both in horizontal as well as vertical pipeline. Sight glass is constructed in such a way that it gives a complete view from every angle.

A sight glass consists of one glass pipe section, one metal frame, a pair of PTFE bushes and washers and an acrylic cover. Borosilicate pipe section is highly heat resistant, has excellent chemical resistance and has low thermal expansion. Metal frame is composed of two flanges which are welded with studs so that the stresses and vibrations of the pipeline do not transfer to the glass pipe section. Its check nut keeps the glass pipe section in compression and provides ease in replacement.

PTFE bushes on both sides of glass pipe section ensures that liquid in the pipeline does not come in contact with metal frame. PTFE washers are used as gaskets while fitting the sight glass in the pipeline. Acrylic cover covers the glass pipe section and protects it from outer damages.

Sight glass can be supplied with MS/SS304/SS316 frame with any standard drilling.



MS FRAME SIGHT GLASS

DN	L	L1	Cat.Ref. Table E	Cat.Ref. Table F	Cat.Ref. Table ASA
25	192	150	SG1/E	SG1/F	SG1/A
40	192	150	SG1.5/E	SG1.5/F	SG1.5/A
50	192	150	SG2/E	SG2/F	SG2/A
80	192	150	SG3/E	SG3/F	SG3/A
100	192	150	SG4/E	SG4/F	SG4/A
150	192	150	SG6/E	SG6/F	SG6/A

SS 304 FRAME SIGHT GLASS

DN	L	L1	Cat.Ref. Table E	Cat.Ref. Table F	Cat.Ref. Table ASA
25	192	150	SG1/E/304	SG1/F/304	SG1/A/304
40	192	150	SG1.5/E/304	SG1.5/F/304	SG1.5/A/304
50	192	150	SG2/E/304	SG2/F/304	SG2/A/304
80	192	150	SG3/E/304	SG3/F/304	SG3/A/304
100	192	150	SG4/E/304	SG4/F/304	SG4/A/304
150	192	150	SG6/E/304	SG6/F/304	SG6/A/304

SS 316 FRAME SIGHT GLASS

DN	L	L1	Cat.Ref. Table E	Cat.Ref. Table F	Cat.Ref. Table ASA
25	192	150	SG1/E/316	SG1/F/316	SG1/A/316
40	192	150	SG1.5/E/316	SG1.5/F/316	SG1.5/A/316
50	192	150	SG2/E/316	SG2/F/316	SG2/A/316
80	192	150	SG3/E/316	SG3/F/316	SG3/A/316
100	192	150	SG4/E/316	SG4/F/316	SG4/A/316
150	192	150	SG6/E/316	SG6/F/316	SG6/A/316

* marked items are available fast.