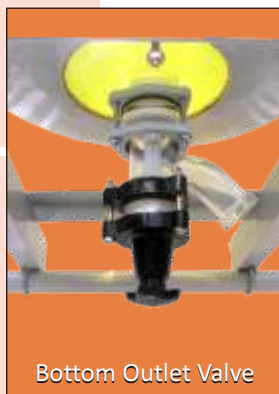




Angle Valve



Bottom Outlet Valve



Straight Through Valve



Drain Valve



A wide variety of valves are described in this section. All the valves are made of Borosilicate Glass body & PTFE plug so that process fluid just comes in contact with Glass & PTFE only. Borosilicate Glass body permits the visual checking of the operation.

All the valves are suitable for operation under full vacuum conditions & a maximum temperature of 200°C.

Borosilicate Valves are available from DN 15 to DN 50. Bigger size valves are available on request.

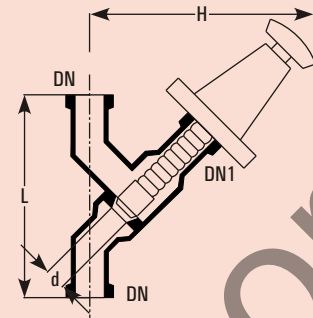
# VALVES

# VALVES

## STRAIGHT THROUGH VALVES

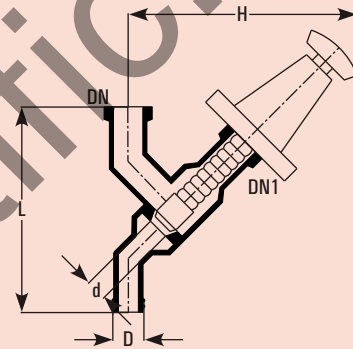
Cat.Ref.	DN	DN1	d	L	H
PV0.7	15	15	10	125	125
PV1	25	25	18	175	175
PV1.5/1	40	25	18	225	175
PV1.5	40	40	26	225	200
PV2	50	50	38	300	220

Spindles are made of PTFE.



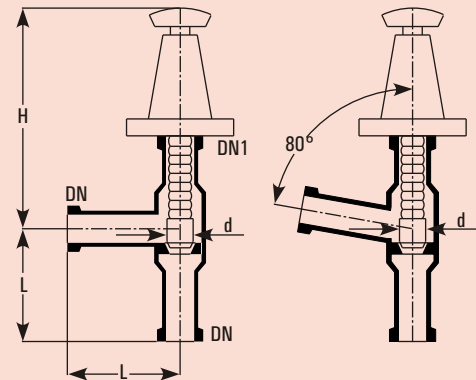
## DRAIN VALVES

Cat.Ref.	DN	DN1	d	L	H	D
PVD0.7	15	15	10	125	125	15
PVD1	25	25	18	175	175	28
PVD1.5/1	40	25	18	225	175	28
PVD1.5	40	40	26	225	200	42
PVD2	50	50	38	300	220	50



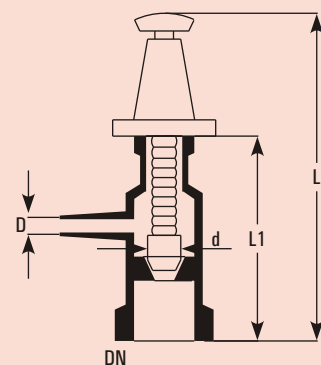
## ANGLE VALVES

Cat.Ref.	DN	DN1	d	L	H	Degree
PVE0.7	15	15	10	50	85	90
PVE1	25	25	18	100	175	90
PVE1/80	25	25	18	100	175	80
PVE1.5	40	40	26	150	200	90
PVE2	50	50	38	150	220	90



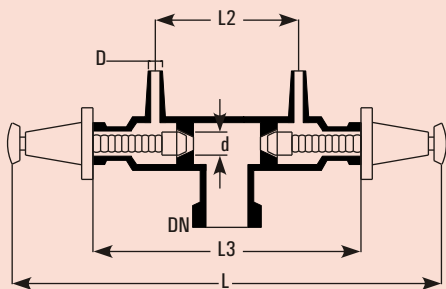
## VENT VALVES

Cat.Ref.	DN	D	d	L	L1
PVV0.7	15	11	10	125	-
PVV1	25	11	10	150	85
PVV1.5	40	11	10	150	95

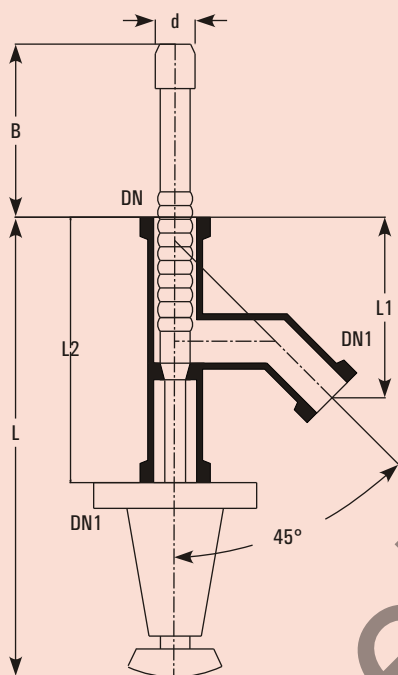


# VALVES

## VENT / VACUUM VALVES



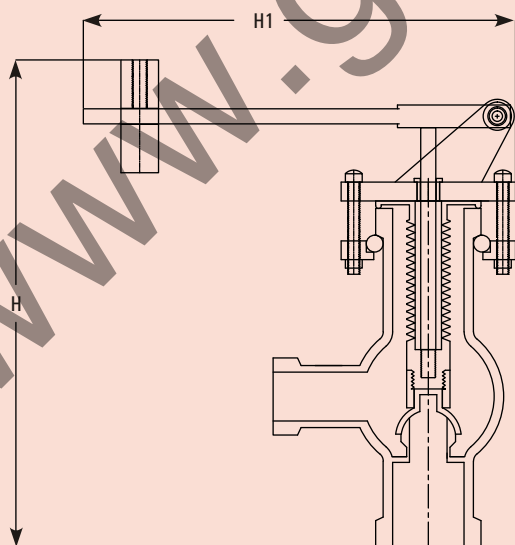
Cat.Ref.	DN	D	d	L	L1	L2	L3
PVW 1/0.7	25	12	10	280	55	85	160
PVW 1.5/0.7	40	12	10	280	65	85	160



## BOTTOM OUTLET VALVES

These valves prevent the accumulation of solids or liquid in the bottom outlet of a vessel. This valve can be incorporated in any spherical or cylindrical vessel.

Cat.Ref.	DN	DN1	DN2	d	L	L1	L2	B
BAL1	25	25	25	18	260	105	150	190
BAL1.5	40	25	25	26	260	105	150	190
BAL2	50	40	25	38	260	105	150	190



## WEIGHT OPERATED PRESSURE RELIEF VALVE

The pressure relief valve (WPRV) is a valve used to control or limit the pressure in a system or vessel which can build up by a process upset, instrument or equipment failure, or fire.

The pressure is relieved by allowing the pressurized gas/fluid to flow out of the system. The pressure relief valve is designed or set to open at a predetermined set pressure to protect Glass vessels and other equipment from being subjected to pressures that exceed their design limits. When the set pressure is exceeded, the pressure relief valve is forced open and a portion of the gas/fluid is released maintaining the required system pressure.

Weight operated pressure relief valve is constructed of glass and PTFE. Sealing of moving parts is effected by a PTFE bellows. The maximum recommended operating temperature is 150°C and a range of pressure as mentioned below.

It should be installed with the spindle vertical and adequate support should be given.

Model	Size	Pr. range (BAR.g)	Appx. Height (H)	Appx. Width (H1)
WPRV-1.5	DN40	0.4/0.7/0.9	240mm	275mm
WPRV-2	DN50	0.1/0.2/0.3	270mm	275mm